

TOSHIBA

TOSHIBA INTERNATIONAL CORPORATION

POWER ELECTRONICS

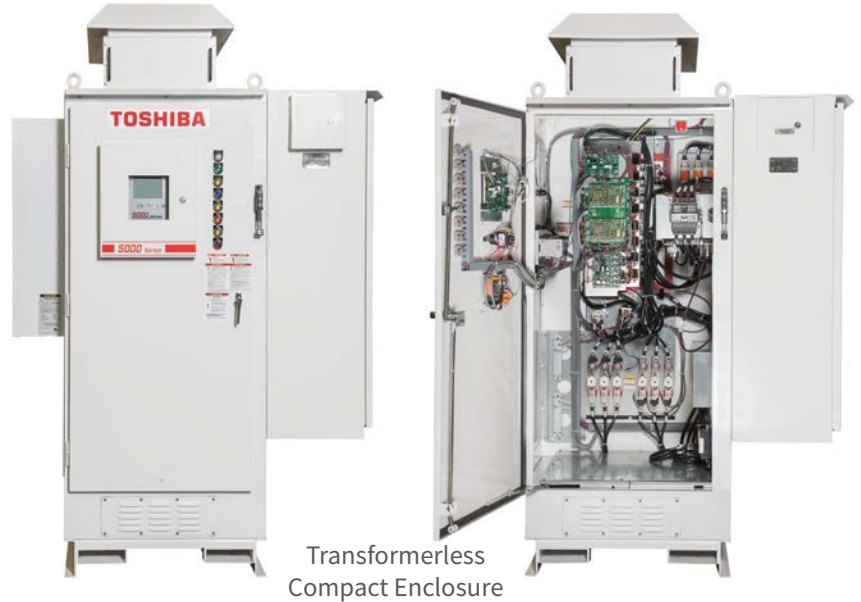
5000 SERIES N3R

**UNINTERRUPTIBLE
POWER SYSTEMS**

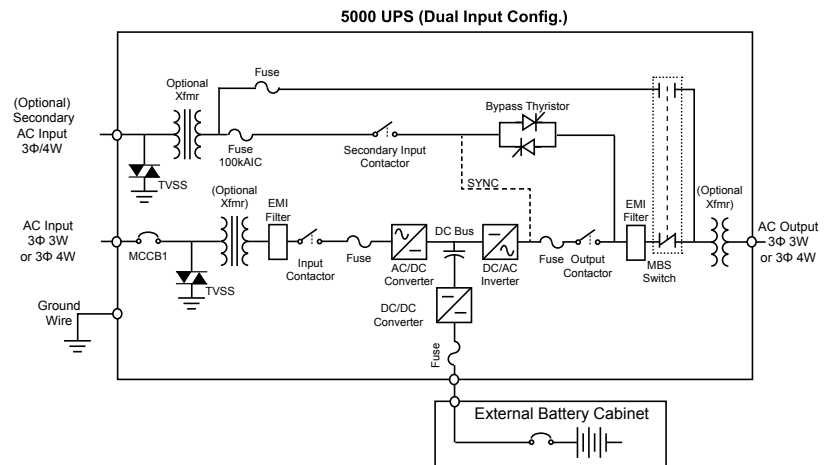


NEMA® 3R END-TO-END SOLUTIONS

The Toshiba 5000 Series Industrial three-phase uninterruptible power system (UPS) is built for the rigors of industrial applications. The unit is weatherproofed to NEMA 3R, making it resistant to environmental contaminants, and suitable for installation in both indoor and outdoor settings. The double-conversion, all insulated-gate bipolar transistor (IGBT) 5000 Series UPS features a digitally controlled IGBT input rectifier, an intelligent low harmonic pulse-width modulation (PWM) output, state-of-the-art electronic battery isolation circuitry, and an easy to navigate local touchscreen interface.



**5000 Series N3R
One Line Diagram**



OPTIONS & ACCESSORIES

BATTERY SYSTEMS OPTIONS

The Toshiba 5000 Series N3R UPS offers a wide selection of compatible batteries including VRLA, wet cells, Nickel-Cadmium or Lithium-ion batteries along with the option of putting these batteries in a fully rated outdoor cabinet.

END-TO-END SOLUTIONS

Toshiba offers a full array of solutions including input and output isolation transformers, PDUs, bypasses, external chargers, and distribution panels.

UPS MONITORING

RemotEye® 4 offers real-time control, monitoring, and analysis of UPS operation. RemotEye® 4 also features a first-ever mobile website for monitoring UPS status updates on-the-go. Universal communications protocols compatible with RemotEye® 4 include Modbus® TCP & RTU, BACnet® IP & MSTP, HTTP/HTTPS, and SNMP. RemotEye® 4 is compatible with IPv6. The 5000 Series also includes a Human Machine Interface (HMI) with PLC I/O ports to allow customer specific hard wire communication.

EASY TO TROUBLESHOOT

Wave Capture® is a built-in feature that aids in troubleshooting by capturing and storing voltage and current waveforms at input, output, DC bus, and DC battery link along with a time stamp.

N3R STANDARD FEATURES

- 14°F to 122°F (-10°C to 50°C) Operational Range
- Waterproof enclosure, able to withstand up to 95% non-condensing humidity
- Hurricane proof: Able to withstand winds of up to 160mph
- Seismic and ABS rated
- Double conversion online UPS with IGBTs
- 65 kAIC-Rated
- Fuseless TVSS on all inputs
- Built-in Rotary Maintenance Bypass
- Wave Capture Troubleshooting tool
- Mesh wire filters
- Programmable I/O Ports
- LED Operation Status Indicators
- Keyed Doors with Mechanical Interlock
- EPO switch
- Bottom cable entry
- Industrial-rated components designed for a 20 year life span
- Toshiba RemotEye 4 Multi-Protocol UPS Monitoring Solution

OPTIONAL FEATURES

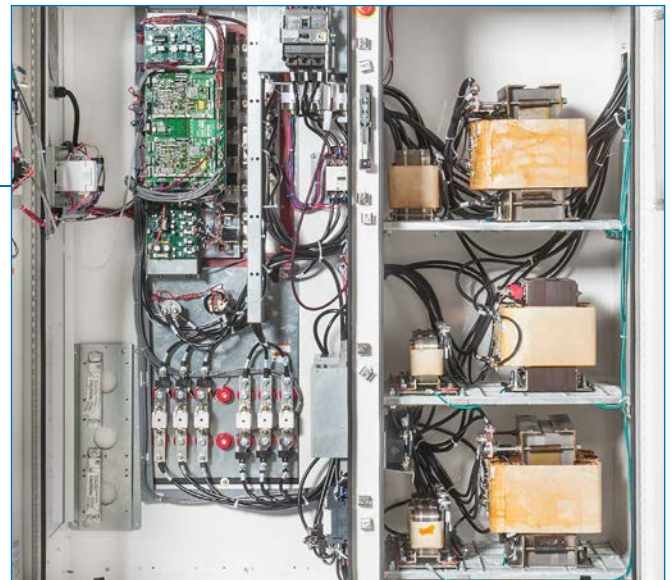
Customization is available through a number of options:

- Dual Input
- Copper-wound Galvanic isolation transformers for multiple input/output voltages
- External/Remote/Wrap-around bypass with mechanical keyed interlock or SKRU
- Conformal Coated boards
- Installation, Operation and Repair Spare Part Kits
- Isolation Transformers on Alternate input
- Lithium-ion Battery offering
- 600/240/120 V Output Transformer



TOSHIBA ADVANTAGE

- Proudly Manufactured in Houston, Texas
- Maximum 4 week lead times for standard products and components in North America
- 20 year service life



INDUSTRIES SERVED

- Oil & Gas
- Chemical Plants and Refineries
- Water/Wastewater
- Mining
- Telecommunications/Relay Towers
- Offshore and Marine Power
- Bottling and Beverage
- Paper and Pulp
- Outdoor and Remote Sites



N3R SPECIFICATIONS

MODEL				
Model Number*	5CP0G015KWXX, 5CP0G020KWXX	5CP0G025KWXX, 5CP0G030KWXX	5CP0G015KCXC, 5CP0G020KCXC	5CP0G025KCXC, 5CP0G030KCXC
Capacity	15/20 kVA	25/30 kVA	15/20 kVA	25/30 kVA
Topology	True On-Line, Double-Conversion, All-IGBT Technology			
INPUT				
Voltage (Standard)	480 V: Three-Phase, Three-Wire + Ground, with Isolation Transformer**		208/120V: Three-Phase, Four-Wire + Ground Single Input, Transformerless	
Voltage Range	-15% to +10% (Without Using Battery)			
Power Factor	>0.98			
Current THD	<3% at 100% Load			
Frequency	50 +/- Hz; 60 +/- Hz			
OUTPUT				
Voltage (Standard)	480/277 V: Three-Phase, Four-Wire + Ground with Auto Transformer***		208/120 V: Three-Phase, Four-Wire + Ground	
Frequency	50/60 Hz, +0.1% Auto-Sensing Standard. (50/60 Hz Selectable, for use as Frequency Converter)			
Voltage Regulation	+/-3%			
Power Factor	0.9 Lagging			
Overload	Inverter: 125% for 90 Seconds, 150% for 30 Seconds, Bypass: 125% for 10 Minutes, 1000% for 10 Milliseconds			
BATTERY				
DC Link	288 VDC			
Ripple Voltage	<0.5%			
ENVIRONMENT				
Temperature Range	14° to 122°F (-10° to 50°C)			
Relative Humidity	5% to 95% Non-Condensing			
Full-Load Efficiency	85%	84%	89%	88%
25% Load Efficiency	72%	73%	76%	77%
Altitude	3300 ft. (1000 m) Maximum Without Derating			
Air Filtration	Airflow top-to-front with top-located filters			
Audible Noise	<65dBA @ 1 m Typical			
DIMENSIONS				
Dimensions	84.34"W x 38.72"D x 92.09"H (2142 mm x 938 mm x 2339 mm)		59.38"W x 38.70"D x 92.09"H (1508 mm x 983 mm x 2339 mm)	
Weight****	1,220-1700 lbs. (553.4-771.1 kg)		970-1,020 lbs. (440.0-462.7kg)	
ADDITIONAL FEATURES				
Color	White Outdoor Smooth Powder Coat (Stainless Steel Option)			
Monitoring	Touchscreen Operator Interface, UPS Status N/O Dry Contacts, RS232C Interface (Optional RemotEye® 4 Intelligent Monitoring System)			
Options	Internal Batteries, Internal Transformers, Single or Dual Input Feed, Remote Status Alarm Panel, Air Filters		Single or Dual Input Feed, Remote Status Alarm Panel, Air Filters	
Features	18 Gauge Steel Enclosure, TVSS Included on Primary and Bypass Inputs, Integrated Rotary MBS, Enclosure Anchoring Bolts			
Standards	UL/CUL 1778 Listed, ISO 9001, ISO 14001, ANSI C62.41 (IEEE 587), NEMA PE 1-1993			
Warranty	3-Year On-Site Warranty; See Toshiba Warranty Policy for Full Details			
Service	24-Hour, 365-Day Technical Support: 1-877-867-8773			

* "X" in the last 2 digits of model number changes to reflect configuration of output voltage transformers and choice of single vs dual input

** Standard model includes 480D - 208Y Isolation Transformer. Other Isolation Transformer Options available (200-600 V)

*** Standard model includes 208Y - 480Y Auto Transformer. Other Auto Transformer Options available (200-600 V)

**** Weight will vary based on internal transformer & dual input options

© 2020
Toshiba International Corporation
Power Electronics
13131 West Little York Road
Houston, Texas 77041 USA
Tel +713-466-0277
US 1-800-231-1412
Rev.11ESSENCE2219

TOSHIBA
TOSHIBA INTERNATIONAL CORPORATION



TOSHIBA POWER ELECTRONICS
Uninterruptible Power Systems • SciB™ Lithium Ion Batteries • Energy Management Systems
Remote Monitoring • High Power Chargers • Containerized Solutions
PDU • RPP • Server Rack Enclosures

www.toshibaups.com

