

# TOSHIBA

TOSHIBA INTERNATIONAL CORPORATION

## UNINTERRUPTIBLE POWER SYSTEMS

# G9000 Series

**POWER  
ELECTRONICS  
DIVISION**



# POWER & EFFICIENCY REDEFINE UPS PERFORMANCE STANDARDS

The Toshiba G9000 Series Uninterruptible Power System (UPS) utilizes state-of-the-art design and construction to deliver industry-leading efficiency, reliability, performance, and flexibility to meet today's critical power demands.

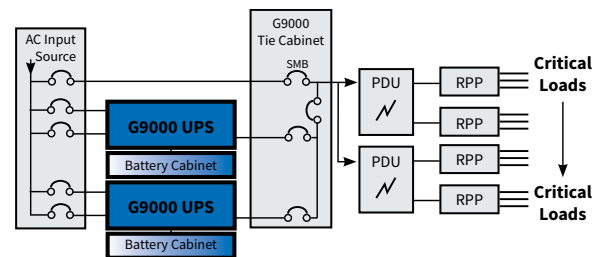
- 5<sup>th</sup> Generation Carrier Stored Trench Bi-Polar Transistors (CSTBT) Designed Specifically for UPS
- True On Line, Double-Conversion UPS
- Input Power Factor > 0.99
- Input Current THD < 3%
- Voltage Regulation within 2% for up to 100% Unbalanced Load and 100% Load Step
- Wide Input Voltage Range +15%, -20% (Without Utilizing Batteries)
- 97% Efficiency for Lower Operational Cost
- Smallest Footprint & Highest Power Density in Industry
- Electronic Battery Isolation for Battery Longevity
- Generator-Friendly Design & Compatibility
- Complete Front-Access for Installation, Operation, & Service
- Handles Up to 0.8 Leading Power Factor Loads Without Derating
- SNMP/Web-Based Monitoring
- Three-Year Warranty for Lower Cost of Ownership
- Qualifies for Buy America Act
- Conforms to Energy Star Efficiency Certification



Fast-Switching CSBT	Control technology delivers up to 97% efficiency.
Active CSBT Rectifier & Harmonic Input Filter	Reduces input total harmonic distortion (THD) which also reduces heat loss in associated feed equipment and increases component life.
IGBT DC-to-DC Chopper	Produces lower DC ripple on the charging circuit, extending battery and capacitor life.
Hybrid Static-Bypass Switch	Combined bypass static switch & contactor offers high dependability when transferring between power sources and clearing faults.
Exceptional Output Voltage Regulation	Provides superior transient response, easily handling 100% step loads without requiring battery support.
Generator-Friendly Design	Allows sizing of 1.1 kW generator capacities per 1.0 UPS kVA load.
Robustly Engineered Design	Top of the line components ensure mean time between failure of over 200,000 hours.

## END TO END SOLUTIONS

- Toshiba Lithium Titanate SCiB(TM) Batteries and VRLA are two energy storage options compatible with the G9000 Series UPS. The robust charging circuitry of the G9000, featuring a flexible range of recharge operations, allows compatibility with multiple battery technologies including SCiB, VRLA and Wet Cells without external supplemental charger circuits. SCiB and VRLA cabinets match the G9000 appearance for a clean install look.
- The G9000 UPS Tie Cabinet provides a simple and economical landing point for a multi-module G9000 system's output. The Toshiba Tie Cabinet functions without control electronics typically required by manufacturers resulting in a smaller and lighter solution. An optional 15-inch color LCD display is available for centralized monitoring of module and system status as a supplement to individual module monitors. Allows paralleling of up to:
  - Four 80-225 kVA UPSs of equal kVA
  - Eight 300-750 kVA UPSs of equal kVA
  - Six 1000-2000 kVA UPSs of equal kVA
- The G9000 UPS may be equipped with a slim Maintenance Bypass Switch Cabinet that seamlessly matches the height, depth, and color of the UPS enabling interruption-free maintenance of the system. MBS Cabinets are available in wall-mount form factors and with additional monitoring or switching features as applications demand.
- Optional Power Distribution Units (PDU) with internal 480/208 transformers and remote power panels (RPP) are available in a wide variety of capacities and with features to meet application needs.



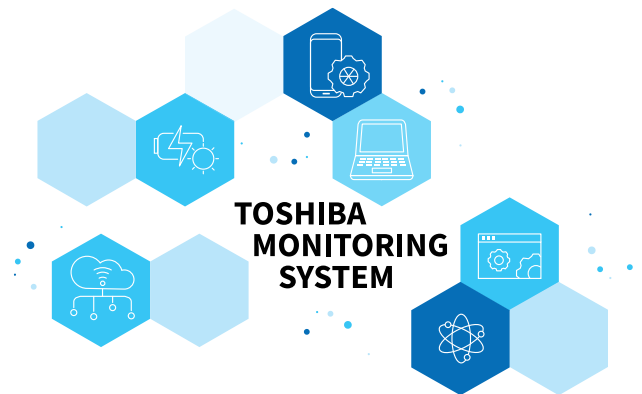
## MONITORING OPTIONS

RemotEye® 4 Edge/IoT network card offers remote monitoring and analysis of UPS operation via multiple network protocols.

- Detailed Real-Time Status of UPS
- Email Notification of Status & Events
- Event & Alarm History Logging
- Ambient temperature and humidity monitoring via environmental monitoring device
- SNMP
- Modbus RTU
- Modbus TCP
- BACnet MS/TP
- BACnet/IP
- AB EtherNet/IP
- Metasys N2

Toshiba Monitoring Systems (TMS) is a cloud-based remote monitoring service that allows Toshiba experts to monitor your UPS assets 24/7. This provides peace of mind, and helps quickly resolve issues and decrease downtime.

Hard-Wired Remote Status Alarm Panel (RSAP) enables remote-monitoring of UPS alarm/status points up to 1000 feet away.



## AUTHORIZED SERVICE PROVIDERS

Toshiba's expansive network of more than 120 authorized service providers supply factory trained technicians to service and support Toshiba UPSs throughout the contiguous United States, Canada, Caribbean, Mexico, and Central & South America.

## PREVENTIVE MAINTENANCE

Derived mean time between failure (MTBF) rates are based on an ideal operating environment. Real operating environments vary from benign to outright hostile. Preventive maintenance will help ensure you get the maximum service out of your Toshiba system.

The maintenance needs of a G9000 Series UPS are minimal but crucial.

- Periodic inspection, calibration, and adjustment of the control and monitoring systems are necessary to ensure continued optimal performance and the highest level of reliability.
- Regular maintenance can help detect early signs of degradation in capacitors, fans, and other components, allowing for timely repair without the UPS unexpectedly failing. This is particularly important in harsh environments with excessive humidity, temperature extremes, frequent out-of-specification voltage excursions, and abrasive air particles.

## FACTORY WITNESS TESTING

Toshiba has a 3 MVA Witness Test Facility at its plant in Houston, Texas. Customers can perform witness testing to validate a system's performance specifications in all operating modes prior to accepting delivery.

Multi-module parallel configurations, including energy storage backup, can be assembled and tested in all modes before shipment for final installation.

## MAINTENANCE AGREEMENTS

Maintenance Agreement packages are available to provide the service support appropriate to the customers' needs and budget while maximizing the performance and lifespan of the Toshiba UPS. Site specific service agreements range from simple scheduled preventative maintenance programs to a Platinum Service Agreement with Holiday, Weekend, & Afterhours On-Site Service, 24/7/365 Technical Support, and discounted replacement parts.

## WARRANTY

The G9000 UPS and the accompanying energy storage system are supported by Toshiba's industry-leading three-year parts and labor warranty\* and a 24/7/365 hotline. This ensures that customers get the quickest possible resolution to any warranty or service issues that may arise.

\*Conditional to system startup by an authorized Toshiba UPS service provider. See three-phase warranty for details.

# 3 THREE YEAR WARRANTY

### INDUSTRIES SERVED

- Data Center
- Emergency/Healthcare

### G9000 SERIES APPLICATIONS

- Computer Systems
- Server Rooms
- Voice/Data Network Closets
- Edge Data Centers
- Point of Sale Equipment
- Banking Systems
- Retail Back Office Systems
- School System Computer Rooms
- Medical Labs
- Light Industrial





# 100-225 kVA

## HIGH EFFICIENCY, SMALL FOOTPRINT

MODEL NUMBER	T90S3S10KS6XSN2	T90S3S16KS6XSN2	T90S3S22KS6XSN2
Capacity (KVA/KW)	100/90	160/144	225/202.5
Topology	True On-Line, Double-Conversion, All-IGBT Technology		
<b>INPUT</b>			
Voltage (Standard)	480V Three-Phase, Three-Wire + Ground Dual Input		
Voltage Range	-20% to +15% (Without Using Battery)		
Power Factor	> 0.99		
Current THD	<3% at 100% Load		
Frequency	60 +/- 10% Hz		
<b>OUTPUT</b>			
Voltage (Standard)	480 V: Three-Phase, Three-Wire + Ground		
Frequency	60 +/- 0.01% Hz		
Voltage Regulation	+/-1%		
Power Factor	0.9 Lagging		
Power Factor Range	0.9 Lagging to 1.0 within kW Rating		
Voltage THD	<2% at 100% Linear Load, <5% at 100% Non-Linear Load		
Overload Capacity	Inverter: 125% for 2 Minutes, 150% for 60 Seconds, Bypass: 1000% for 1 Cycle		
<b>BATTERY</b>			
DC Link	480 V		
<b>ENVIRONMENT</b>			
Temperature Range	32° to 104°F (0° to 40°C)		
Relative Humidity	5% to 95% Non-Condensing		
Heat Rejection	13.5 kBTU/Hour	17.8 kBTU/Hour	25.1 kBTU/Hour
Full-Load Efficiency	96.6%	96.4%	96.8%
25% Load Efficiency	94.2%	95.1%	95.7%
Altitude	7380 ft. (2250 m) Maximum Without Derating		
Audible Noise	70 dBA @ 1 m Typical		
Air Filters	Merv 7 Filters Included		
<b>DIMENSIONS</b>			
Dimensions	27.6" W x 32.8" D x 80.6" H		35.4" W x 32.8" D x 80.6" H
Weight	772 lbs. (350 kg)	860 lbs. (390 kg)	1,080 lbs. (490 kg)
<b>COLOR</b>			
	Munsell N1.5 (Black)		
<b>MONITORING</b>			
	Touchscreen Operator Interface, UPS Status N/O Dry Contacts, RS232 Port, Optional RemotEye® 4 Intelligent Monitoring System		
<b>OPTIONS</b>			
	Dual-Input Feed, RemotEye 4 Intelligent Monitoring System, Remote Status Alarm Panel, Air Filters, Spare Parts Kits		
<b>FEATURES</b>			
	Digital Signal Processor (DSP) Control, Fully Digital IGBT Converter & Inverter, High Efficiency Over Wide Load Range, Transformer-Less Design, N+1 & N+N (Up to Four in Parallel) Capability, Dual-Input Feed, Electronic Battery Isolation, RS232 and Dry Contact Interface, Small Footprint, & Lightweight Design, Energy Star® Certified		
<b>STANDARDS</b>			
	UL/CUL 1778 Listed, ISO 9001, ISO 14001, ANSI C62.41 (IEEE 587), FCC Class A-Article 47 - Part 15 B, OSHPD, IBC Code ICC-ES AC156, (CBC) Section 1708A.		
<b>WARRANTY</b>			
	3-Year On-Site Warranty; 5-Year Warranty Available; See Toshiba Warranty Policy for Full Details		
<b>SERVICE</b>			
	24-Hour, 365-Day Technical Support: 1-877-867-8773		



# 300-750 kVA

## ROBUST, LOW MAINTENANCE DESIGN FOR LONGEVITY

MODEL NUMBER	T90S3S30KS6XSN	T90S3S50KS6XSN	T90S3S65KS6XSN	T90S3S75KS6XSN
Capacity (KVA/KW)	300/300	500/500	650/650	750/750
Topology	True On-Line, Double-Conversion, All-IGBT Technology			
<b>INPUT</b>				
Voltage (Standard)	480V Three-Phase, Three-Wire + Ground Dual Input			
Voltage Range	-20% to +15% (Without Using Battery)			
Power Factor	> 0.99			
Current THD	<3% at 100% Load			
Frequency	60 +/- 10% Hz			
<b>OUTPUT</b>				
Voltage (Standard)	480 V, Three-Phase, Three-Wire + Ground			
Frequency	60 +/- 0.01% Hz			
Voltage Regulation	+/-1%			
Power Factor	1.0 (Unity)			
Power Factor Range	0.9 Lagging to 0.95 Leading			
Voltage THD	<2% at 100% Linear Load, <5% at 100% Non-Linear Load			
Overload Capacity	Inverter: 125% for 10 Minutes, 150% for 60 Seconds, Bypass: 1000% for 1 Cycle			
<b>BATTERY</b>				
DC Link	480 V			
<b>ENVIRONMENT</b>				
Temperature Range	32° to 104°F (0° to 40°C)			
Relative Humidity	5% to 95% Non-Condensing			
Heat Rejection	31.7 kBTU/Hour	52.8 kBTU/Hour	68.6 kBTU/Hour	79.2 kBTU/Hour
Full-Load Efficiency	97.0%	97.0%	97.0%	97.0%
25% Load Efficiency	94.4%	94.8%	95.4%	95.5%
Altitude	7380 ft. (2250 m) Maximum Without Derating			
Audible Noise	70 dBA @ 1 m Typical		71 dBA @ 1 m Typical	
Air Filters	Merv 7 Filters Included			
<b>DIMENSIONS</b>				
Dimensions	51.2" W x 32.8" D x 80.7" H	70.9" W x 32.8" D x 80.7" H	90.6" W x 32.8" D x 80.7" H	90.6" W x 32.8" D x 80.7" H
Weight	2,260 lbs. (1026 kg)	3,300 lbs. (1497 kg)	4,250 lbs. (1497 kg)	4,250 lbs. (1928 kg)
<b>COLOR</b>				
	Munsell N1.5 (Black)			
<b>MONITORING</b>				
	Touchscreen Operator Interface, UPS Status N/O Dry Contacts, RS232 Port, Optional RemotEye 4 Intelligent Monitoring System			
<b>OPTIONS</b>				
	Dual-Input Feed, RemotEye 4 Intelligent Monitoring System, Remote Status Alarm Panel, Air Filters			
<b>FEATURES</b>				
	Digital Signal Processor (DSP) Control, Fully Digital IGBT Converter & Inverter, High Efficiency Over Wide Load Range, Transformer-Less Design, N+1 & N+N (Up to Eight in Parallel) Capability, Dual-Input Feed, Electronic Battery Isolation, RS232 and Dry Contact Interface, Small Footprint, & Lightweight Design, Energy Star® Certified			
<b>STANDARDS</b>				
	UL/CUL 1778 Listed, ISO 9001, ISO 14001, ANSI C62.41 (IEEE 587), IEC 62040-2 Cat. C3, OSHPD, IBC Code ICC-ES AC156, (CBC) Section 1708A			
<b>WARRANTY</b>				
	3-Year On-Site Warranty; 5-Year Warranty Available; See Toshiba Warranty Policy for Full Details			
<b>SERVICE</b>				
	24-Hour, 365-Day Technical Support: 1-877-867-8773			



# 1000-2000 kVA

## MODULAR DESIGN WITH BUILT-IN REDUNDANCY

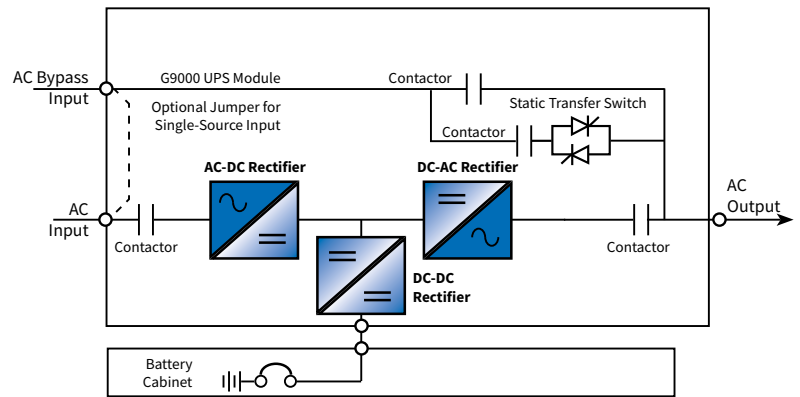
MODEL NUMBER	T901H1D0MWWW-C	T901H1D3MWWW-C	T901H1D5MWWW-C	T901H1D6MWWW-C	T901H2D0MWWW-C
Capacity (KVA/KW)	1000/1000	1330/1330	1500/1500	1660/1660	2000/2000
Topology	True On-Line, Double Conversion, Advanced Multi-Level IGBT Technology				
<b>INPUT</b>					
Voltage (Standard)	480V Three-Phase, Three-Wire + Ground Dual Input				
Voltage Range	-20% to +15% (Without Using Battery)				
Power Factor	>0.99				
Current THD	<3% at 100% Load				
Frequency	60 +/- 10% Hz				
<b>OUTPUT</b>					
Voltage (Standard)	480 V, Three-Phase, Three-Wire + Ground				
Frequency	60 +/- 0.01% Hz				
Voltage Regulation	+/-1%				
Power Factor	1.0 (Unity)				
Power Factor Range	0.7 Lagging to 0.8 Leading				
Voltage THD	<2% at 100% Linear Load, <5% at 100% Non-Linear Load				
Overload Capacity	Inverter: 125% for 10 Minutes, 150% for 60 Seconds, Bypass: 1000% for 1 Cycle				
<b>BATTERY</b>					
DC Link	480 V				
<b>ENVIRONMENT</b>					
Temperature Range	32° to 104°F (0° to 40°C)				
Relative Humidity	5% to 95% Non-Condensing				
Heat Rejection	112.8 kBTU/Hour	159.7 kBTU/Hour	180.1 kBTU/Hour	199.4 kBTU/Hour	240.2 kBTU/Hour
Full-Load Efficiency	96.8%	96.6%	96.6%	96.6%	96.6%
25% Load Efficiency	96.3%	96.1%	96.1%	96.1%	96.1%
Altitude	6500 ft. (1980 m) Maximum Without Derating				
Audible Noise	71 dBA @ 1 m Typical	72 dBA @ 1 m Typical	73 dBA @ 1 m Typical	73 dBA @ 1 m Typical	74 dBA @ 1 m Typical
Air Filters	Merv 7 Filters Included				
<b>DIMENSIONS</b>					
Dimensions	118.2" W x 35.5" D x 80.7" H	167.3" W x 35.5" D x 80.7" H	190.9" W x 35.5" D x 80.7" H	198.8" W x 35.5" D x 80.7" H	222.4" W x 35.5" D x 80.7" H
Weight	6,283 lbs. (2850 kg)	9,590 lbs. (4350 kg)	11,354 lbs. (5150 kg)	11,795 lbs. (5350 kg)	13,558 lbs. (6150 kg)
<b>COLOR</b>					
	Munsell N1.5 (Black)				
<b>MONITORING</b>					
	Touchscreen Operator Interface, UPS Status N/O Dry Contacts, RS232 Port, Optional RemotEye 4 Intelligent Monitoring System				
<b>OPTIONS</b>					
	Dual-Input Feed, RemotEye 4 Intelligent Monitoring System, Remote Status Alarm Panel, Air Filters				
<b>FEATURES</b>					
	Digital Signal Processor (DSP) Control, Fully Digital IGBT Converter & Inverter, High Efficiency Over Wide Load Range, Transformer-Less Design, N+1 & N+N (Up to Six in Parallel) Capability, Dual-Input Feed, Electronic Battery Isolation, RS232 and Dry Contact Interface, Small Footprint, & Lightweight Design, Energy Star® Certified, Redundant and Expandable "Go as you Grow" Power Modules				
<b>STANDARDS</b>					
	UL/CUL 1778 Listed, ISO 9001, ISO 14001, ANSI C62.41 (IEEE 587), IEC 62040-2 Cat. C3				
<b>WARRANTY</b>					
	3-Year On-Site Warranty; 5-Year Warranty Available; See Toshiba Warranty Policy for Full Details				
<b>SERVICE</b>					
	24-Hour, 365-Day Technical Support: 1-877-867-8773				

## FLEXIBLE BY DESIGN

The G9000 is the most efficient double-conversion UPS on the market with less space per kilowatt than any similar-capacity UPS. It delivers the utmost in design flexibility and can provide the ideal solution, regardless of the user's backup power needs.

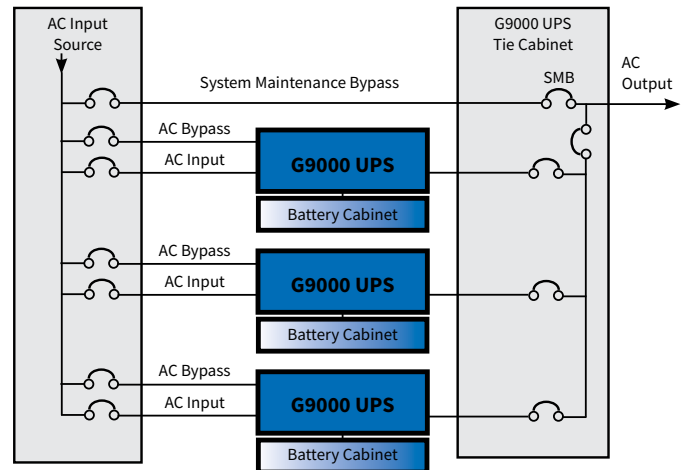
### SINGLE-MODULE

- Single- or Dual-Source Input
- DC-to-DC Isolation
- Internal Hybrid Static Bypass Circuit
- Controllable at Local LCD Panel or Through Customer Supplied Interface
- Monitor UPS Locally or Remotely



### MULTI-MODULE

- Parallel Units without Additional Control Circuitry
- Load Capacity 100 kVA to 12 MVA
- Distributed Bypass Eliminates Single Point of Failure in Bypass Mode
- Tie Cabinet Does Not Require Special Control Circuitry for Future Expansion
- Individual Modules & Entire System Monitored & Controlled via Local Displays in Each UPS or Through Optional System Display in TTC
- Load Balance & Synchronization Intelligence are Self-Contained in Each UPS Module & Not in External Sync Controller, Increasing System Reliability & Making Expansion/Reconfiguration of Parallel Multi-Module Systems Easy



© 2019  
 Toshiba International Corporation  
 Power Electronics Division  
 13131 West Little York Road  
 Houston, Texas 77041 USA  
 Tel +713-466-0277  
 US 1-800-231-1412  
 Rev.09ESSENCE1219

**TOSHIBA**  
 TOSHIBA INTERNATIONAL CORPORATION



**TOSHIBA POWER ELECTRONICS DIVISION**  
 Uninterruptible Power Systems • SCiB™ Lithium Ion Batteries  
 Energy Management Systems • Remote Monitoring

[www.toshibaups.com](http://www.toshibaups.com)



**GSA** Contract Holder  
 Contract GS-07F-03991